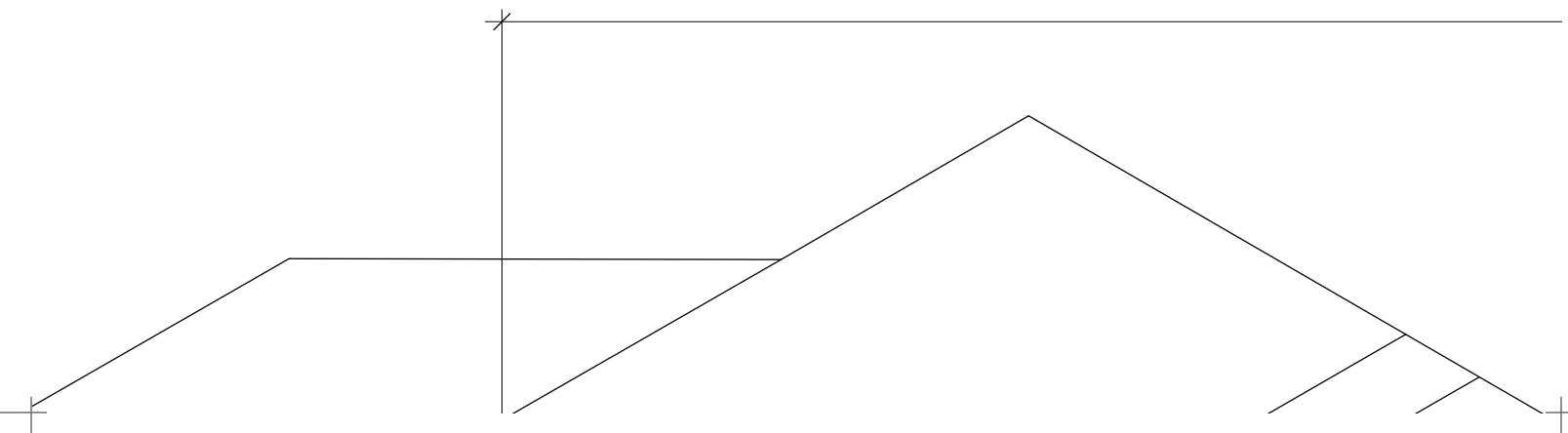


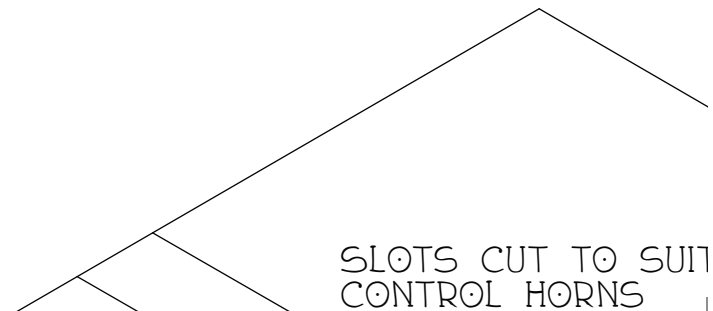
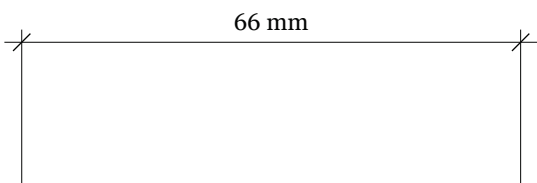
۲۹

downward

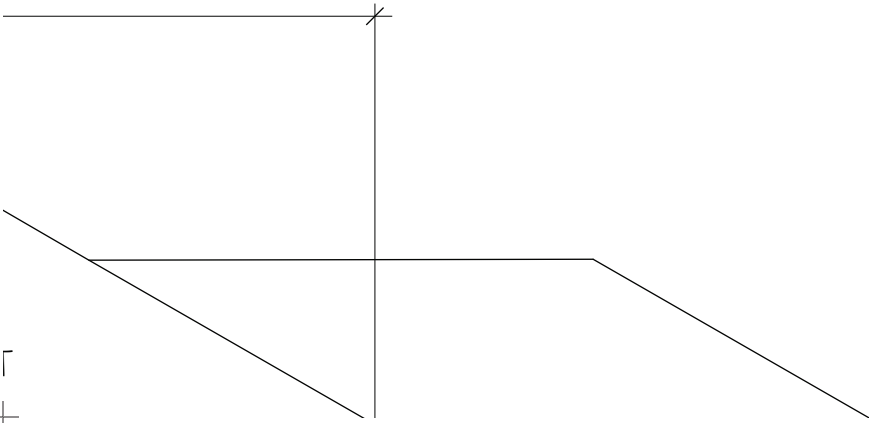




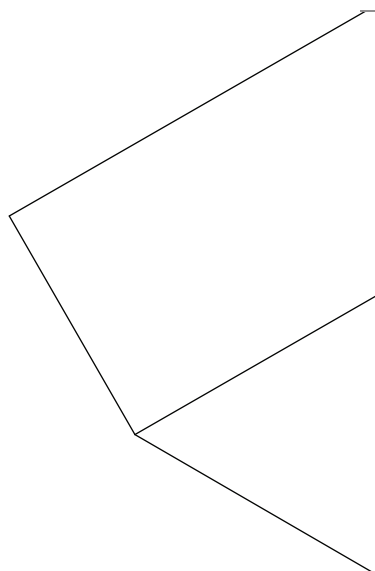
400 mm

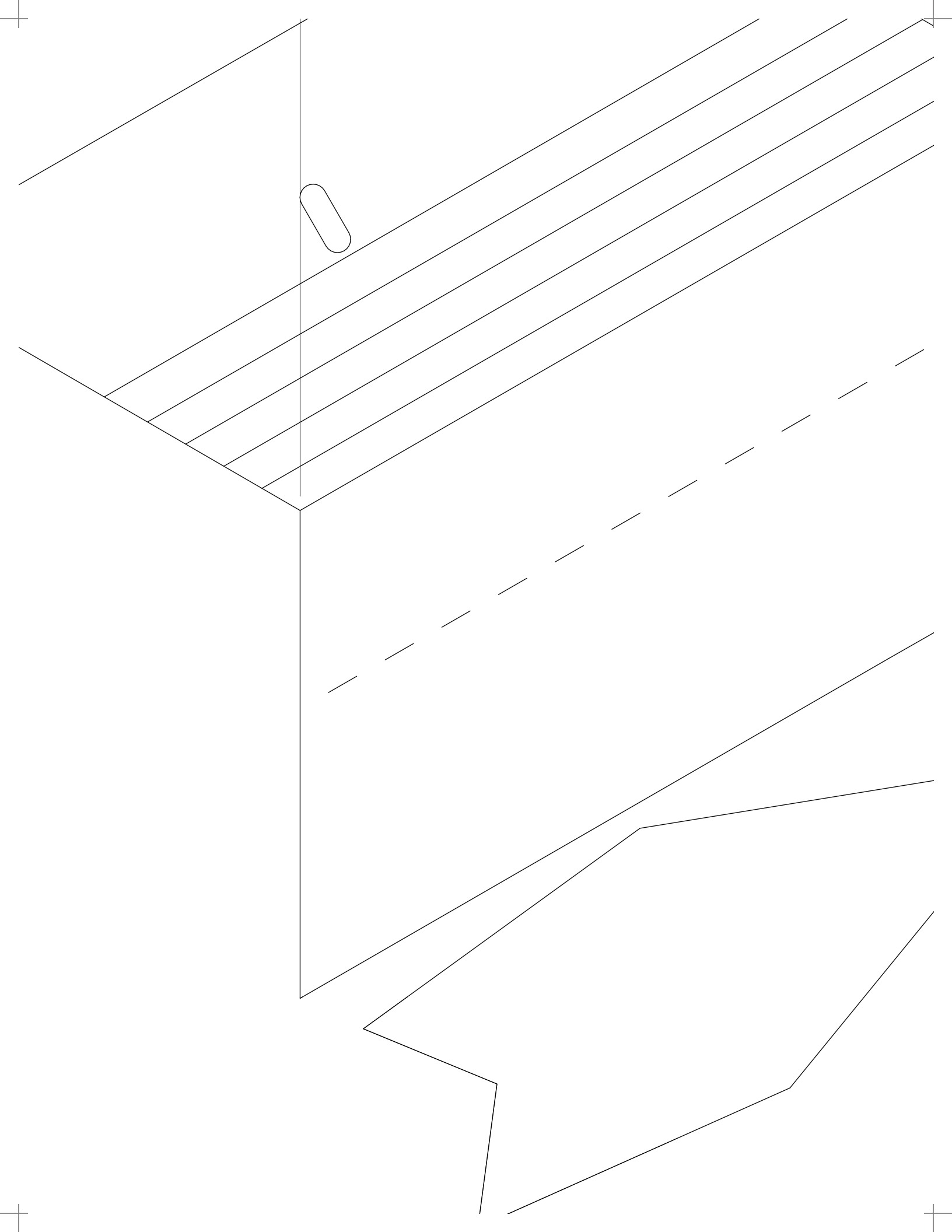


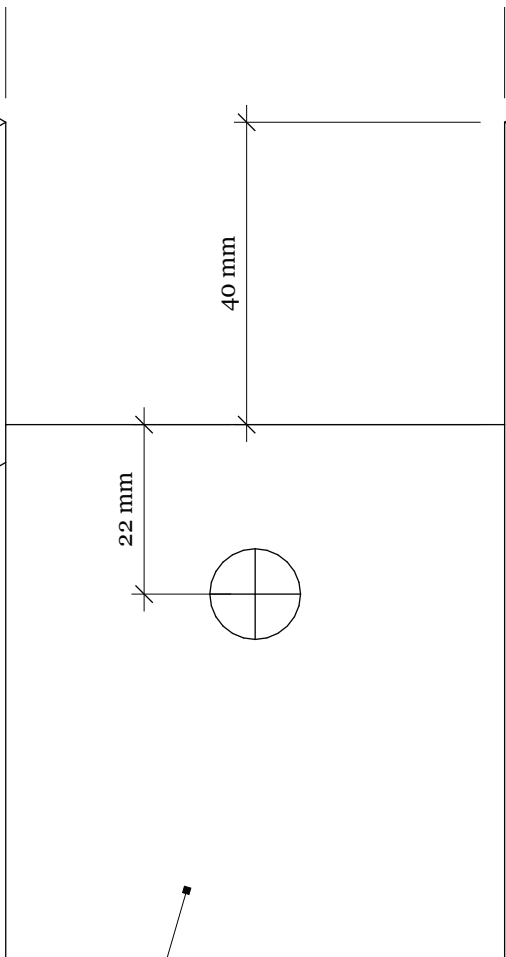
SLOTS CUT TO SUIT
CONTROL HORNS





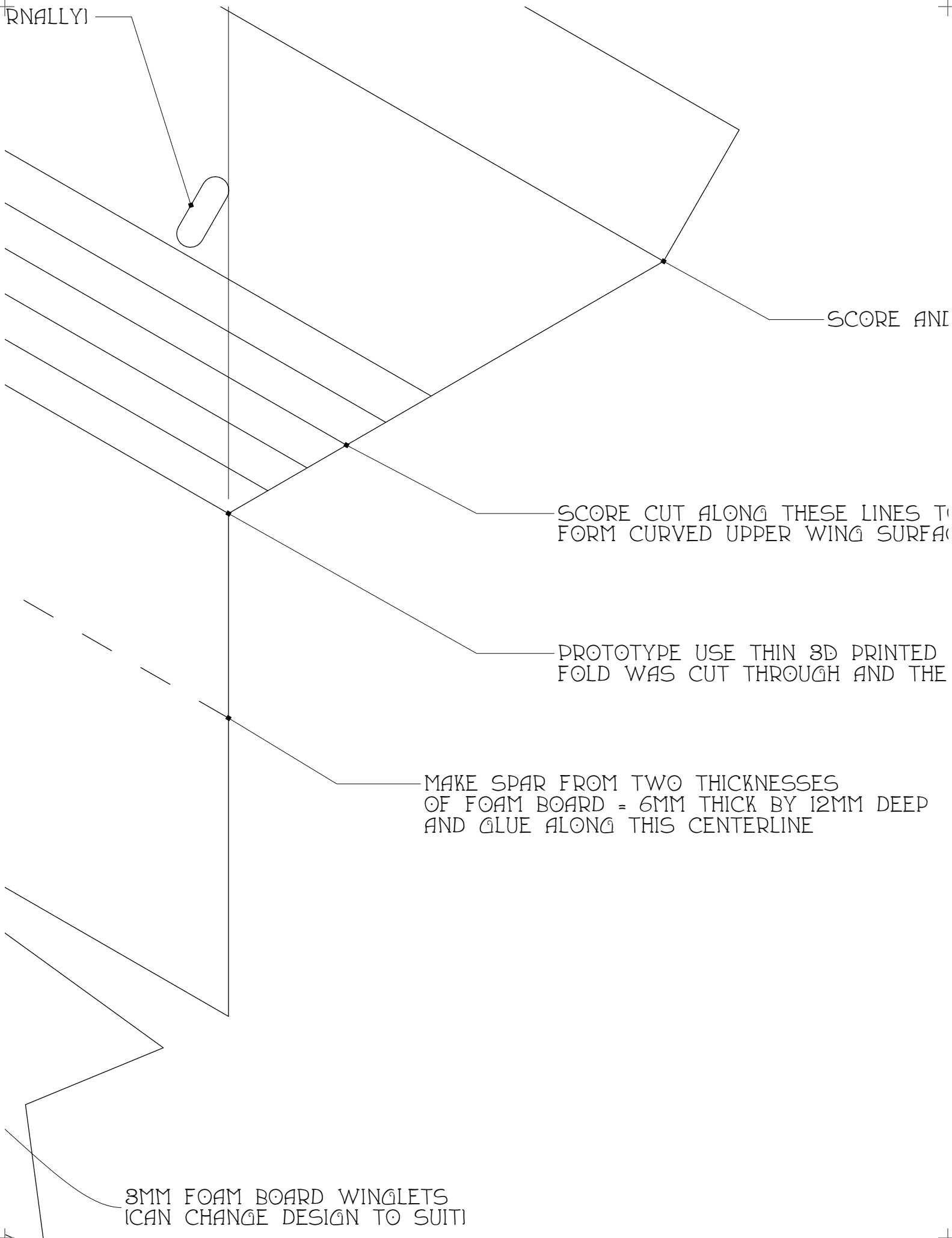






CUT REAR OF CENTRE SECTION LONG
AND TRIM TO FIT REST OF WING
GLUE TO PLASTIC SPAR SECTION AT
REAR OF POD FIRST
YOU WILL ALSO NEED TO MAKE SEVERAL
SLOTS AND HOLES TO SUIT THE MOTOR
MOUNT AND TO ACCOMMODATE WIRES

FINALLY!



SCORE AND

SCORE CUT ALONG THESE LINES TO FORM CURVED UPPER WING SURFACE

PROTOTYPE USE THIN 3D PRINTED FOLD WAS CUT THROUGH AND THE

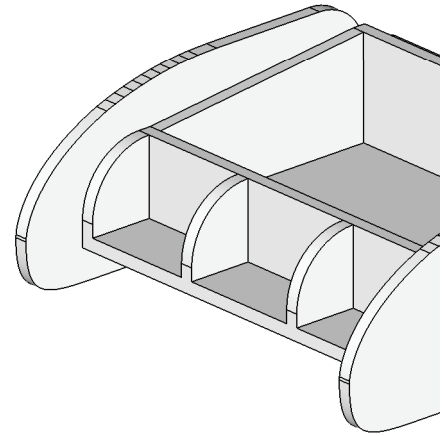
MAKE SPAR FROM TWO THICKNESSES OF FOAM BOARD = 6MM THICK BY 12MM DEEP AND GLUE ALONG THIS CENTERLINE

3MM FOAM BOARD WINGLETS (CAN CHANGE DESIGN TO SUIT)

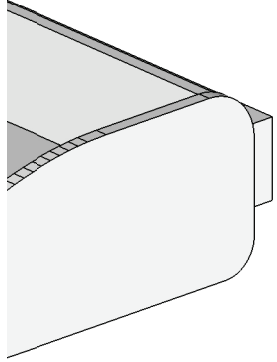
BEVEL ELEVON HINGE

CE

LEADING EDGES
GLUED TO PLASTIC



ALI



STL FILES FOR ALL 3D PRINTED COMPONENTS
CAN BE DOWNLOADED FROM [HTTP://RED2ORC.ORG](http://red2orc.org)

SHEET SIZE = A1
DRAWING 1:1 SCALE
PIECES CUT FROM 3MM FOAM BOARD



PICOWING - TINY FPV FLYING WING

	REVISIONS		
		MM/DD/YY	REMAI
■	1	--/--/--	...
	2	--/--/--	...
i	3	--/--/--	...
	4	--/--/--	...
	5	--/--/--	...

RKS

A

01